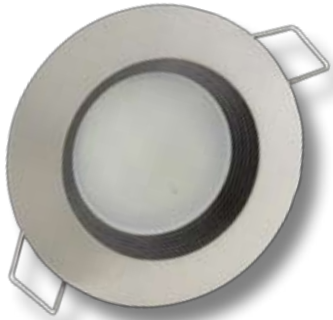


LED Lighting

3" Round 15 LED Down Lamp



Model: L09-0007

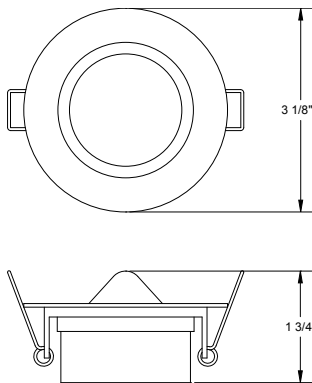


Green|SERIES PRODUCT INFORMATION

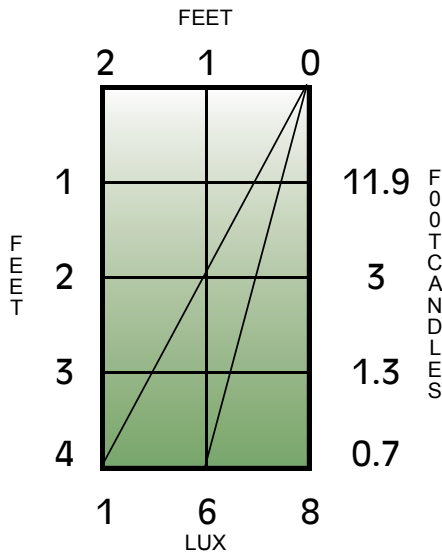
FEATURES

- Reduce battery power consumption by 85%.
- Reduce cooling loads by 36%.
- Bright Daylight White spectrum LEDs.
- Frosted glass convex lens.
- Attractive pearl nickle finish.
- Compact size and fashionable assembly.
- Simple spring mount installation.
- Metal housing.

DIMENSIONS



LIGHT OUTPUT AT 4 FEET IN LUX



SPECIFICATIONS

- Light Source: 15 Light emitting diodes
5400 Kelvin, 38 Lumens
- Designed at: 12VDC, 0.08 Amp, 0.98 Watt

Thank you for your interest in Kaper II, Inc.

Kaper II, Inc.
2212 1/2 Parrott Way
Kelso, WA 98626, USA

tel: 800-336-2011
fax: 360-423-0785
www.kiigreenseries.com

PRODUCT RECOMMENDATION

To reduce the risk of fire, burns, or injury, use lights only in the manner intended by Kaper II. Should you have questions regarding your installation, please contact Kaper II before applying power.